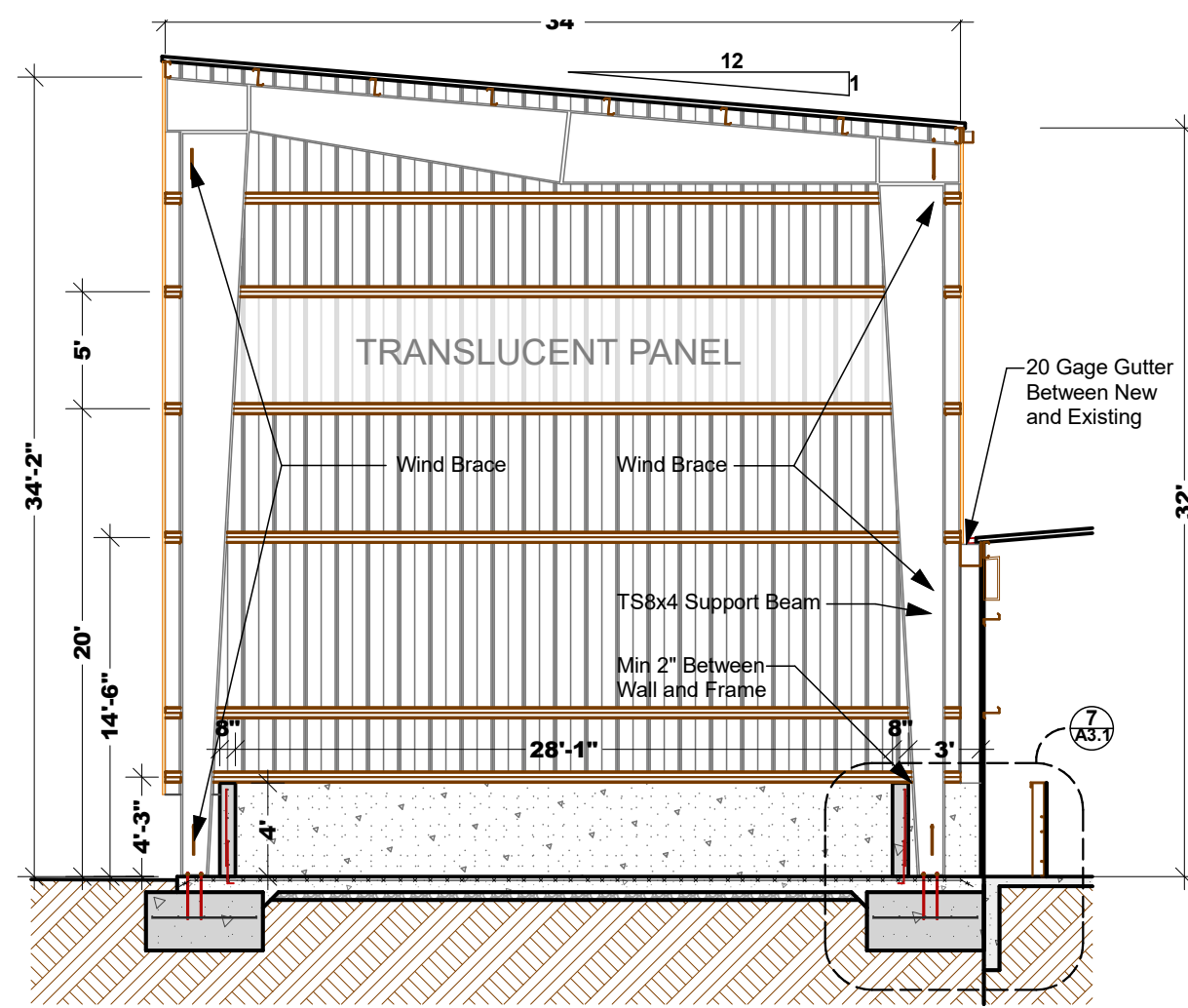
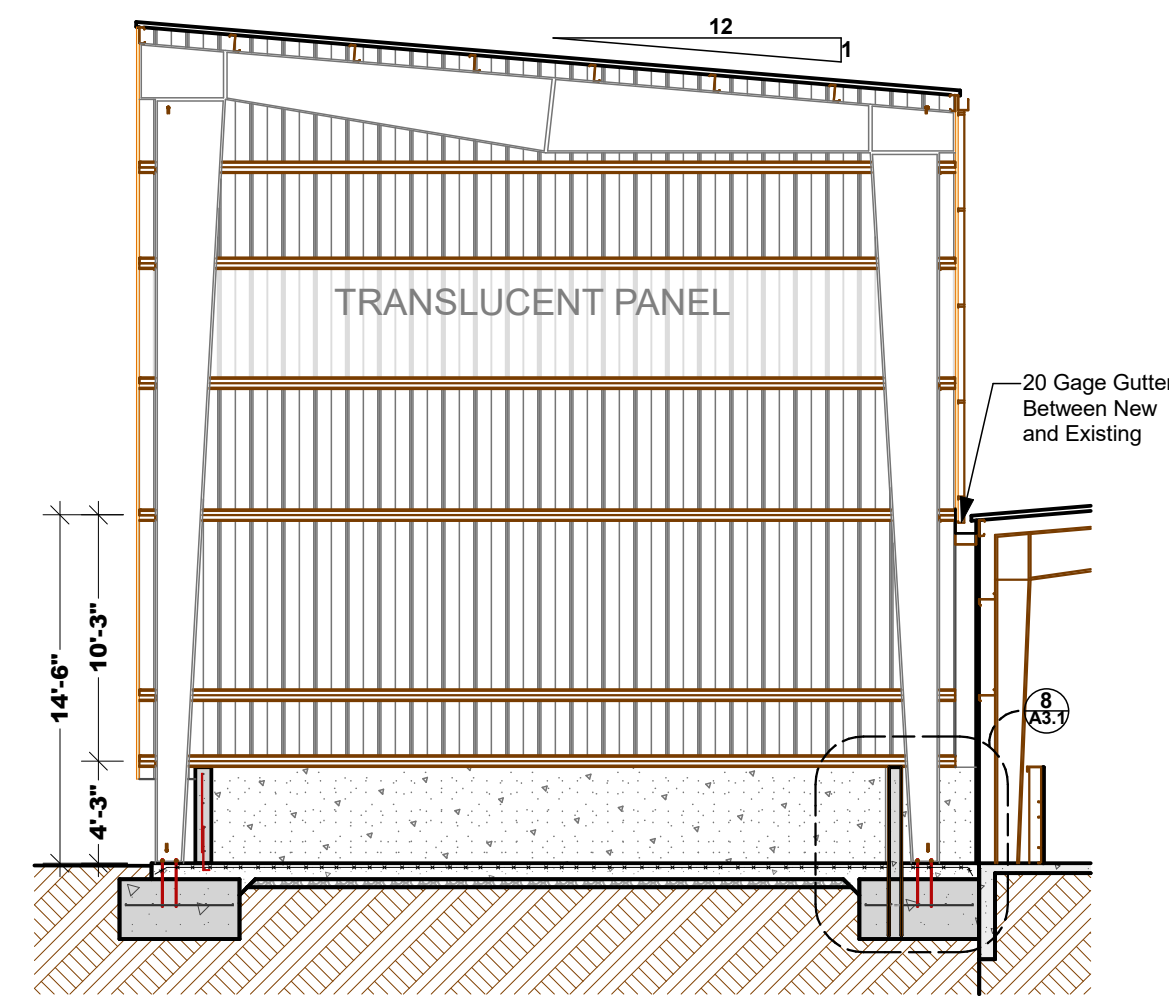


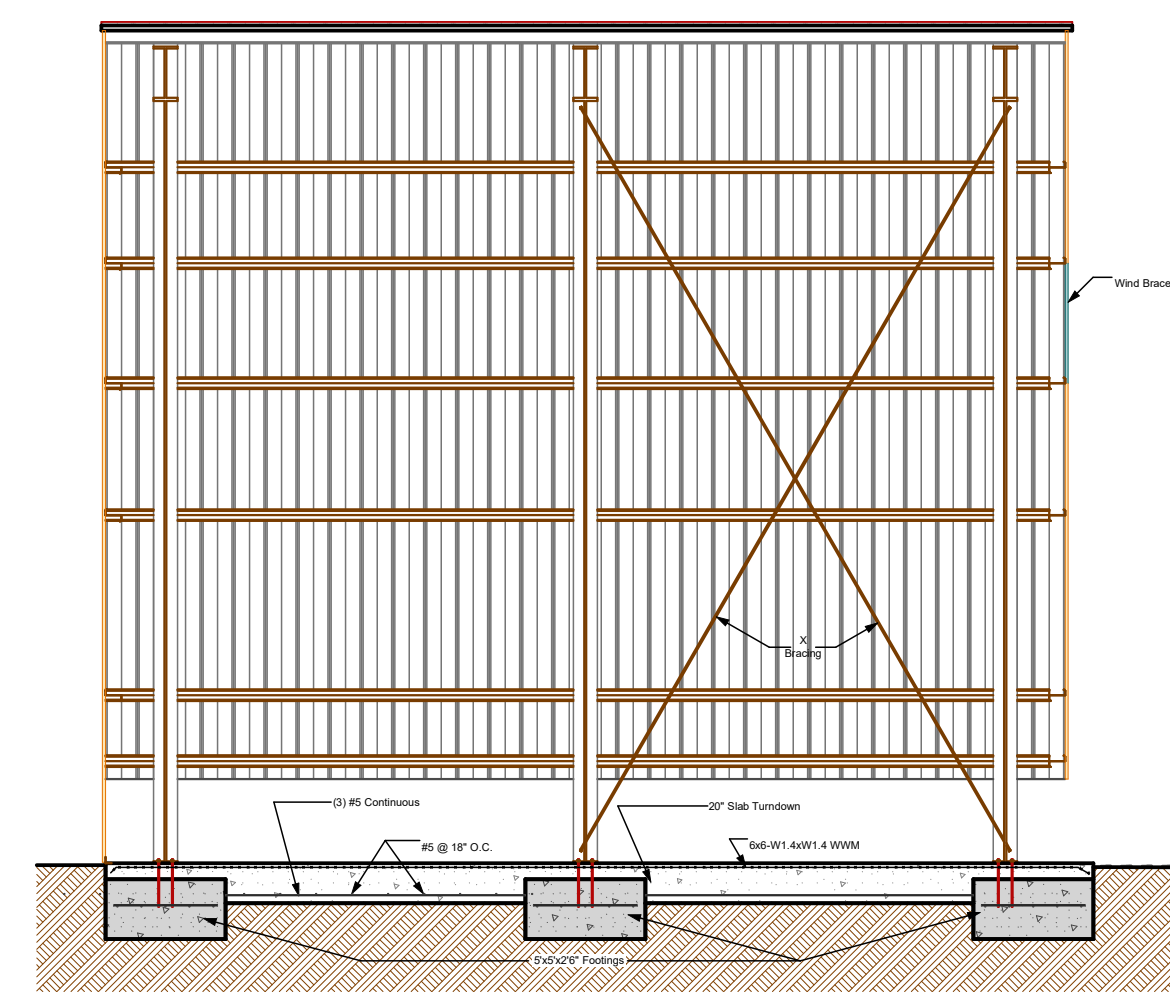
NOTE THIS PAGE: ALL PROVIDED BY CONTRACTOR (Except were noted otherwise)



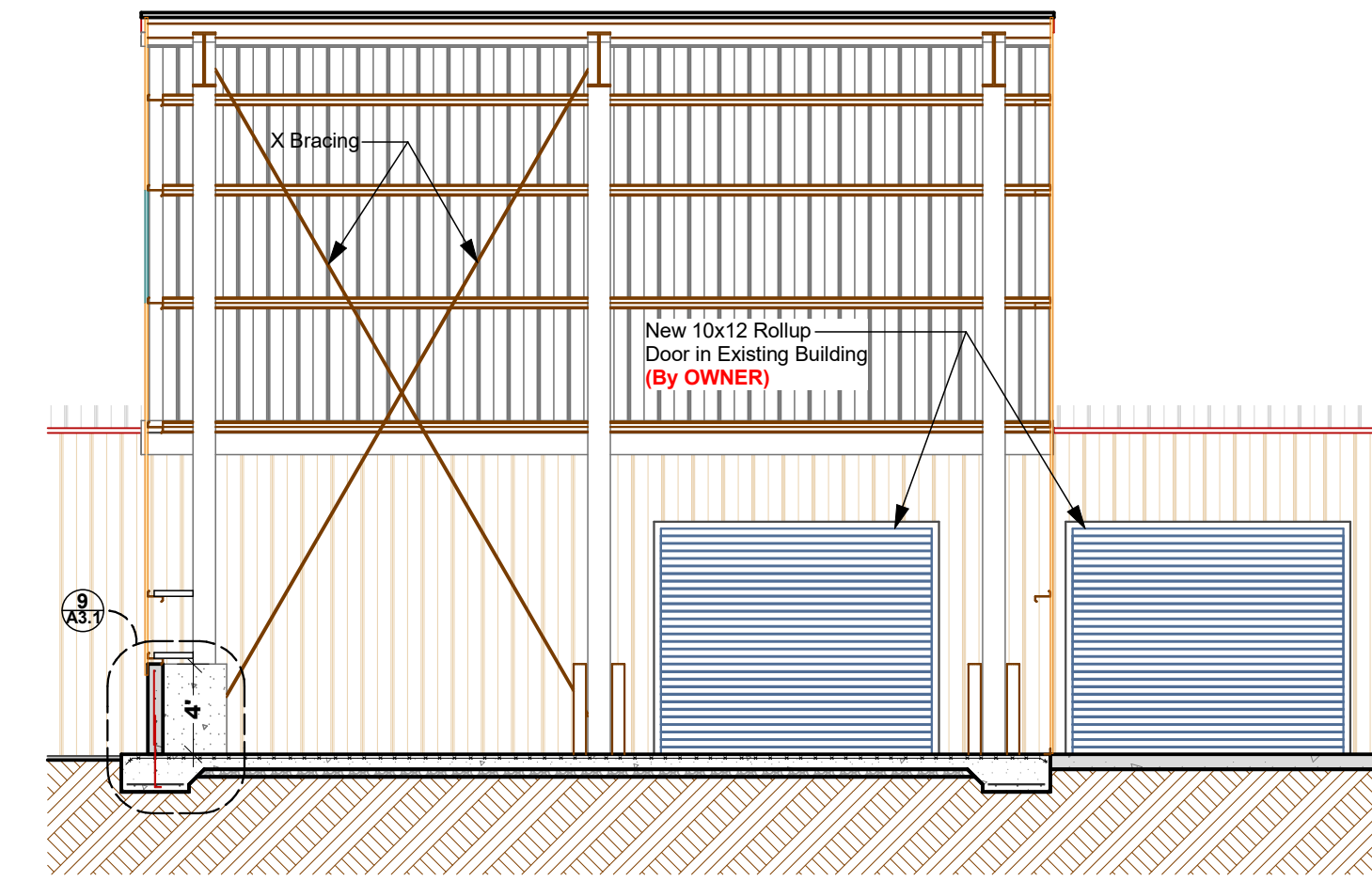
1 Addition Cross Section
 Scale: 1/8" = 1'
 Ref: A1.1



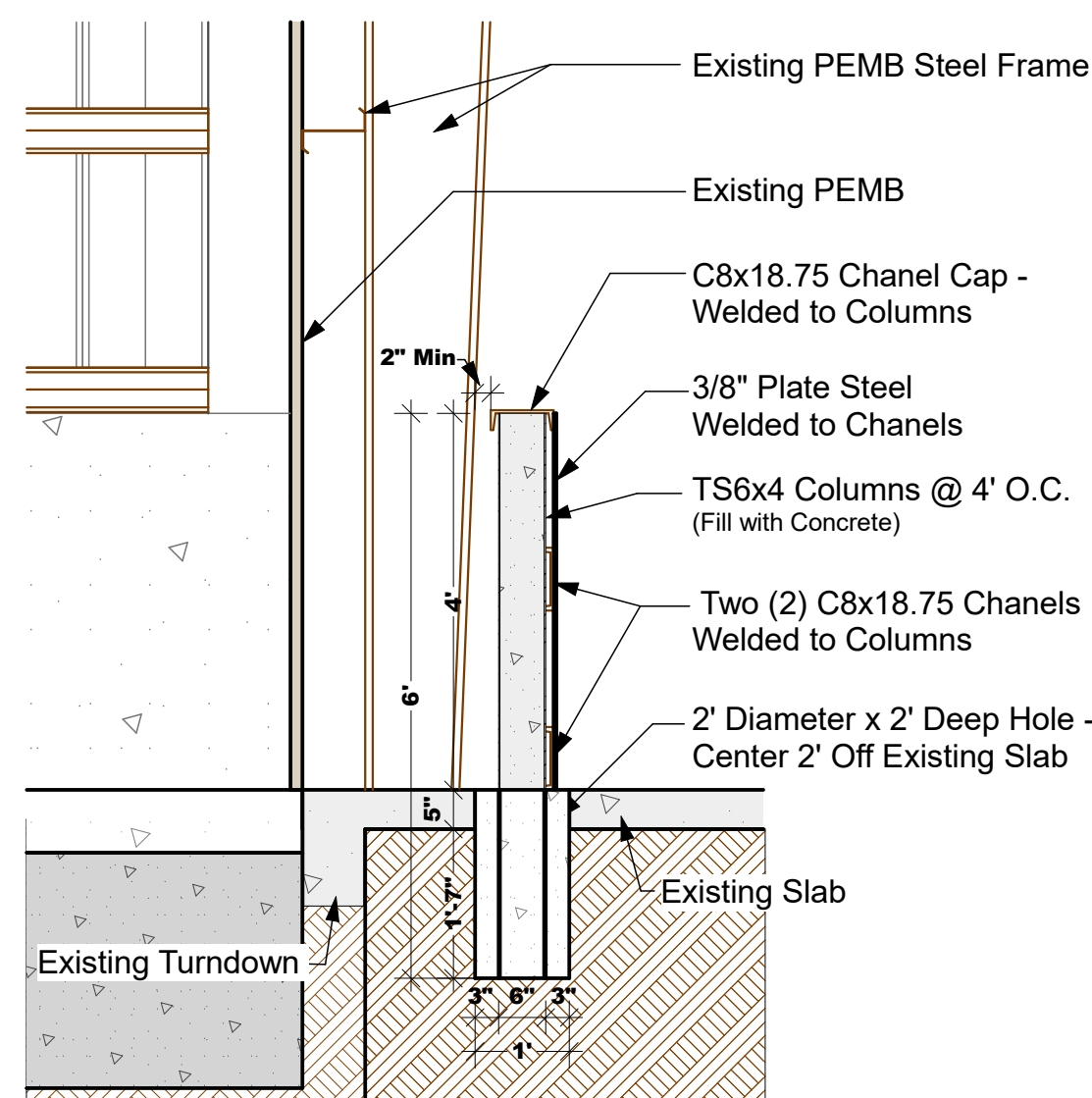
2 Addition Cross Section
 Scale: 1/8" = 1'
 Ref: A1.1



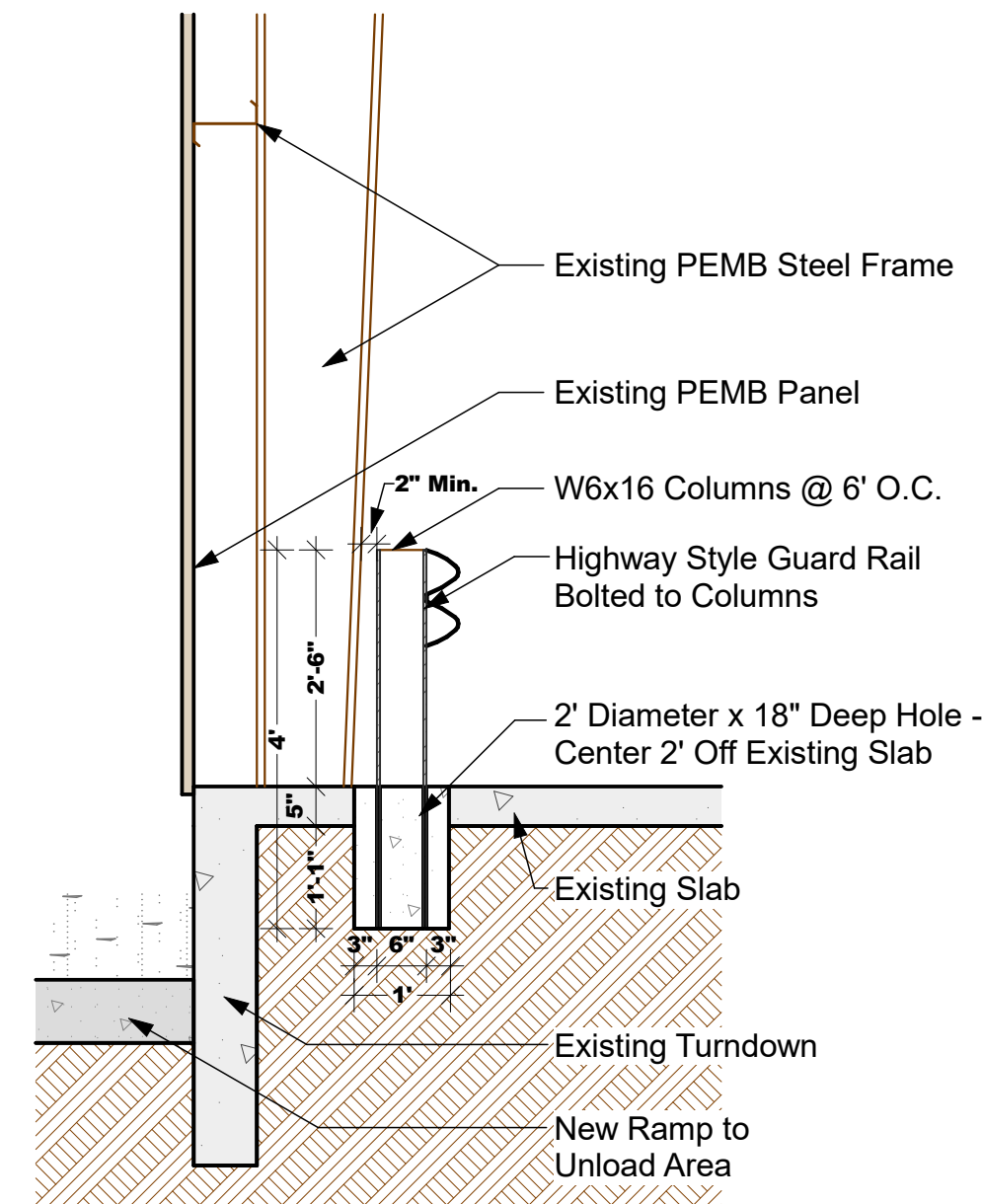
3 Addition Cross Section
 Scale: 1/8" = 1'
 Ref: A1.1



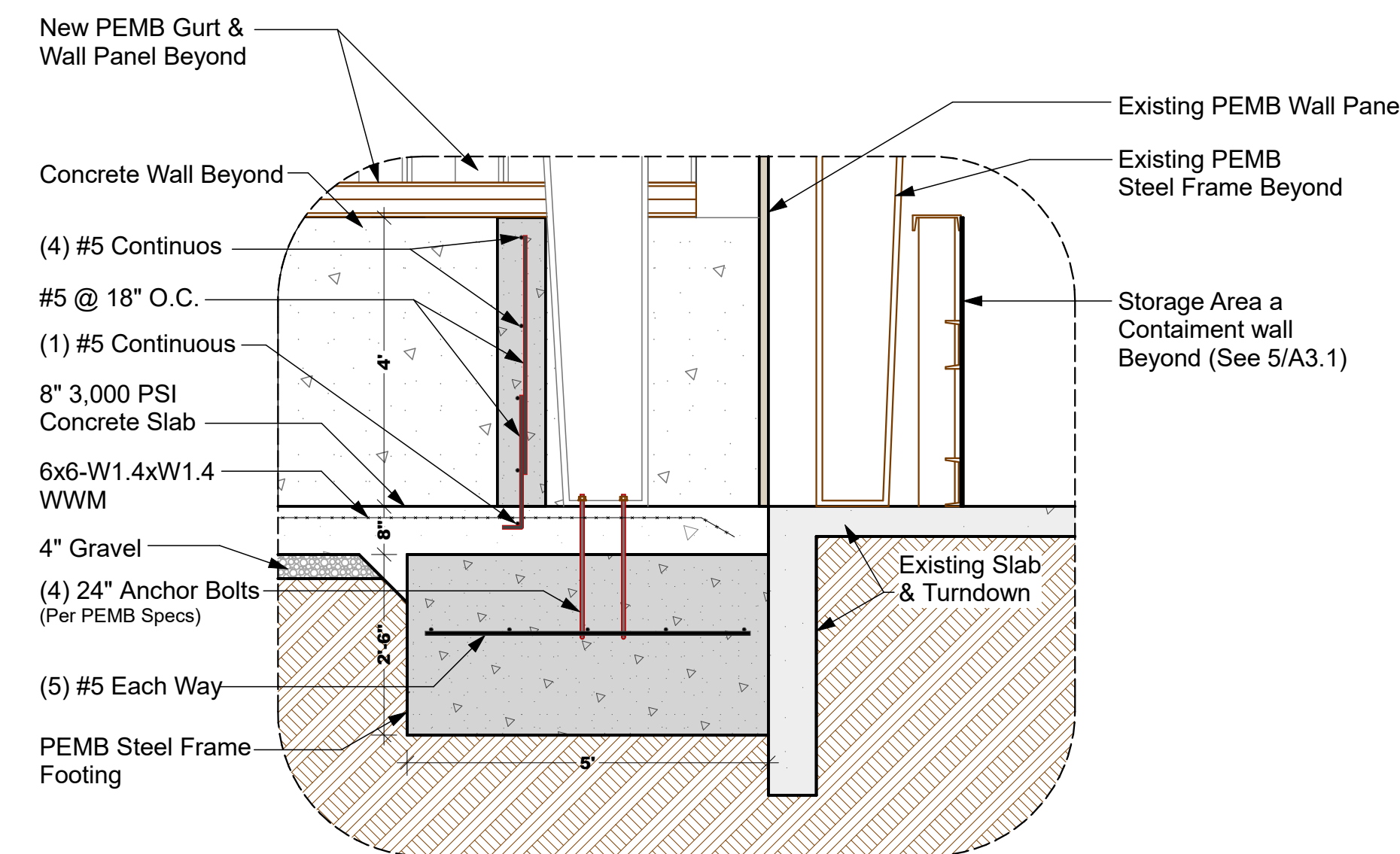
4 Addition Cross Section
 Scale: 1/8" = 1'
 Ref: A1.1



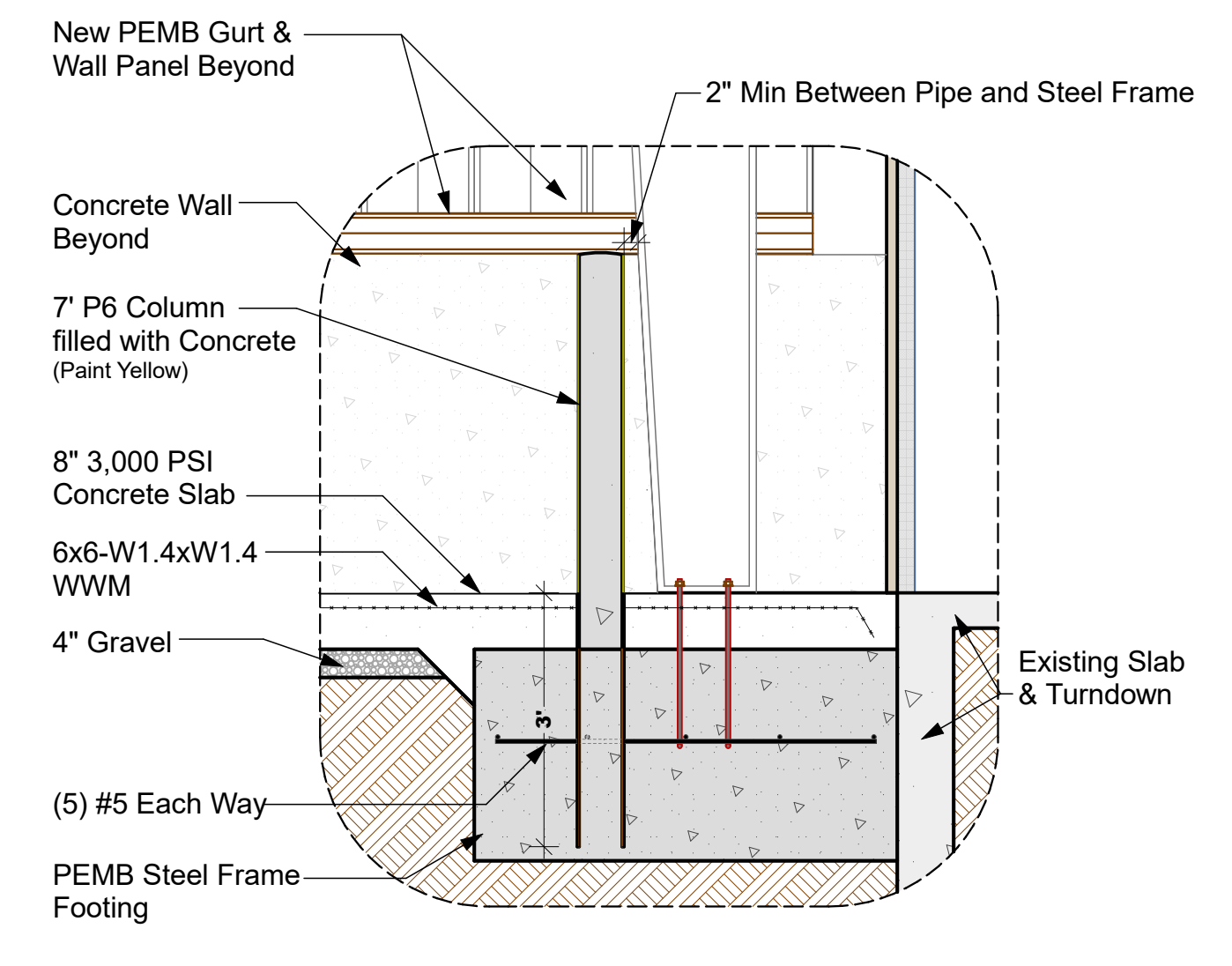
5 Material Storage A Side Wall Detail
 Scale: 1/2" = 1'
 Ref: A1.1



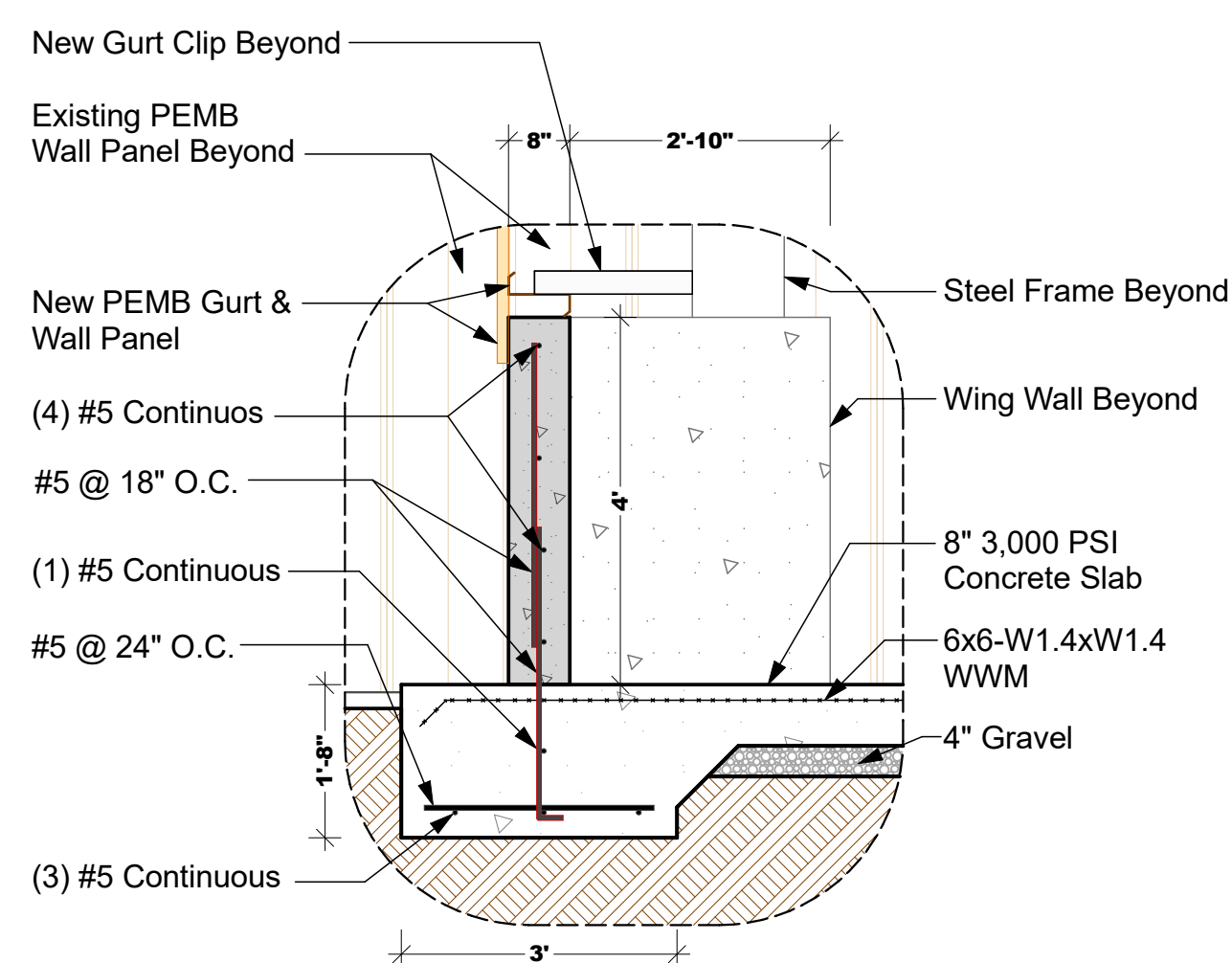
6 Material Storage B Side Wall Detail
 Scale: 1/2" = 1'
 Ref: A1.1



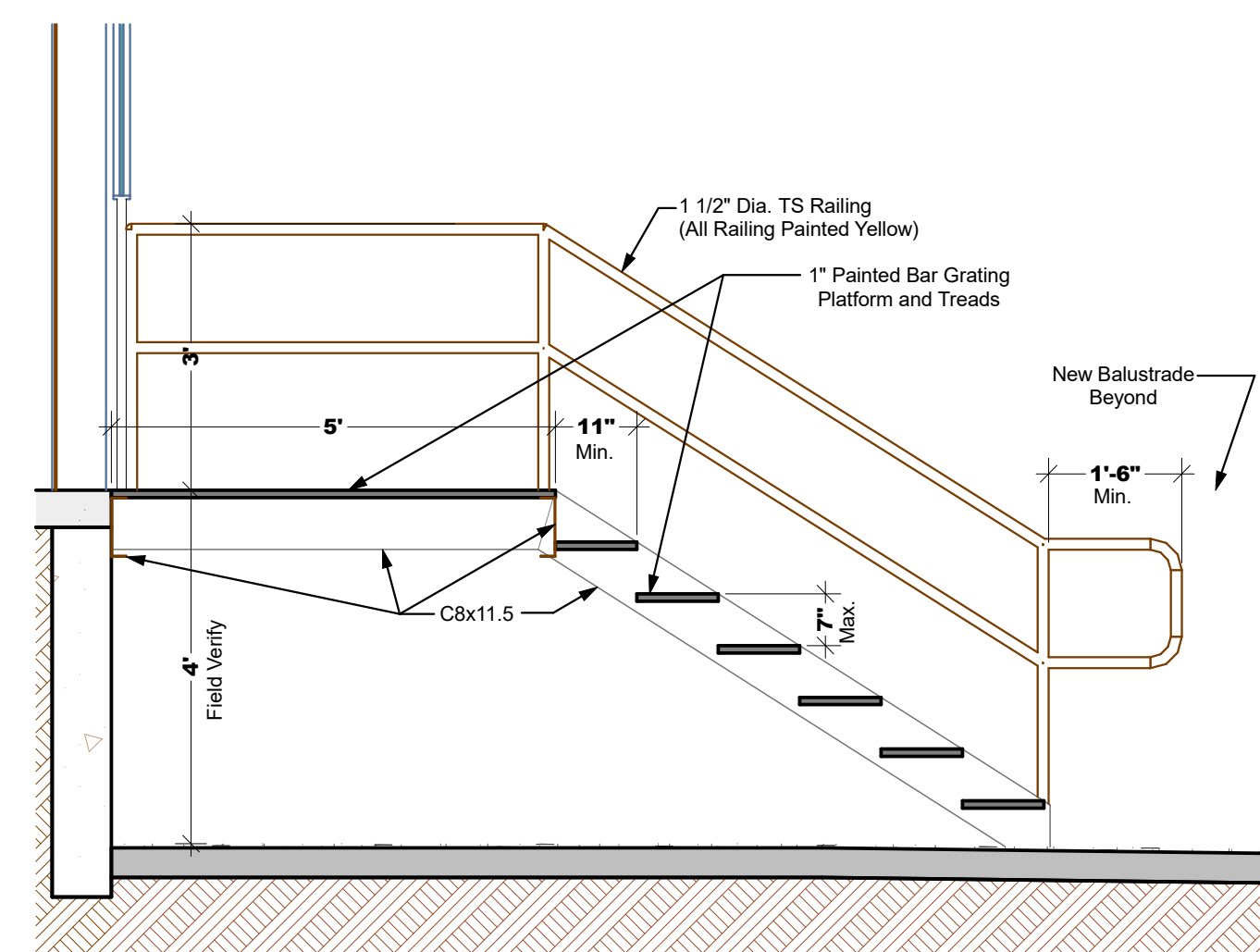
7 Wall, Slab & Footing Detail
 Scale: 1/2" = 1'
 Ref: A3.1



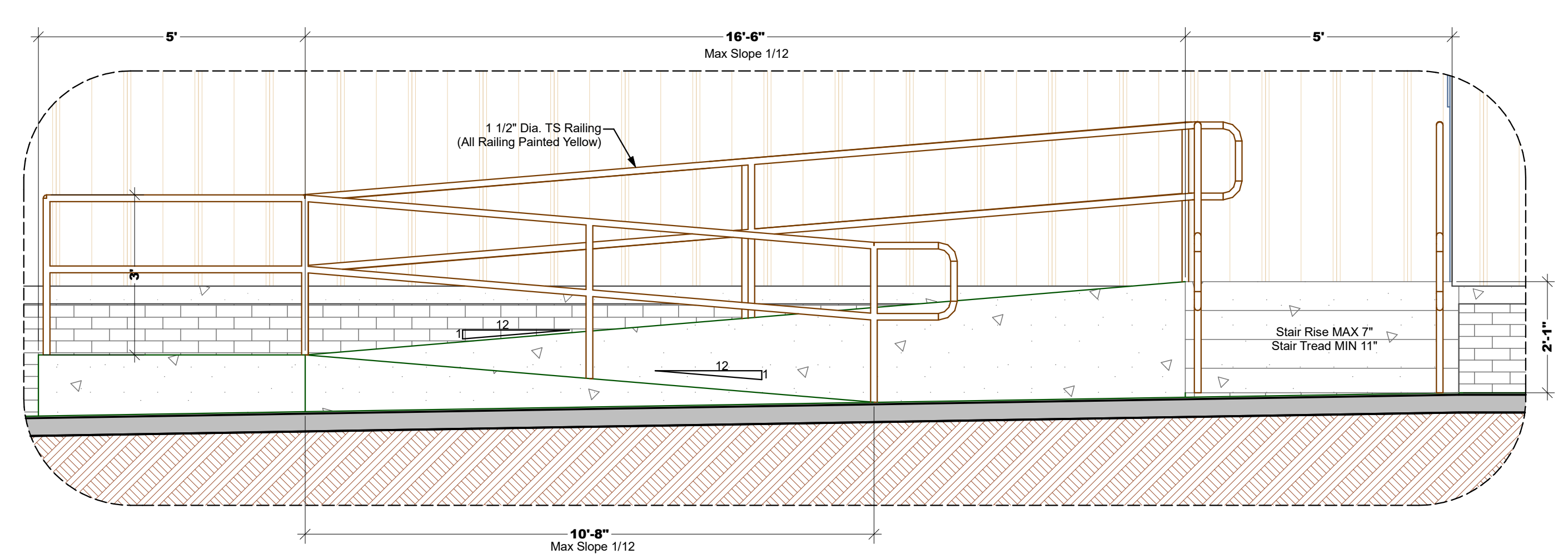
8 Wall, Slab and Balustrad Detail
 Scale: 1/2" = 1'
 Ref: A3.1



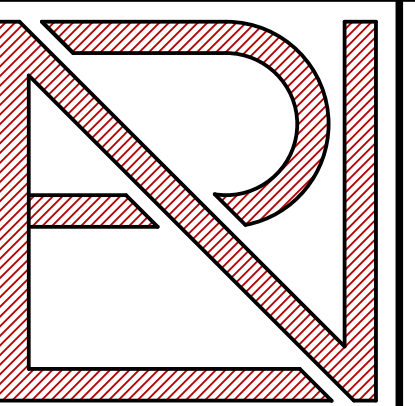
9 Wall and Slab Detail
 Scale: 1/2" = 1'
 Ref: A3.1



10 Stair to Personnel Door Detail
 Scale: 1/2" = 1'
 Ref: A1.1



11 Ramp Details
 Scale: 1/2" = 1'
 Ref: A2.1



ROBERT NOBLE ARCHITECT A.I.A.
 119 SOUTH BROAD ST.
 ROME, GA 30161
 PH: (706) 295-2700
 FX: (706) 295-2063
 Website: RNArchitect.net

NOT FOR CONSTRUCTION

**FLOYD COUNTY PUBLIC WORKS
 ROME-FLOYD RECYCLING CENTER**
 LAVENDER DRIVE
 Rome, Georgia 30165

NOT FOR CONSTRUCTION

CROSS & DETAILS SECTIONS

PROJECT # 1715
 DESIGNER/CAD TECH:
 L. A. (Tony) LOMBARD
 DATE: ##/##/####
 REV. DATE:

A3.1